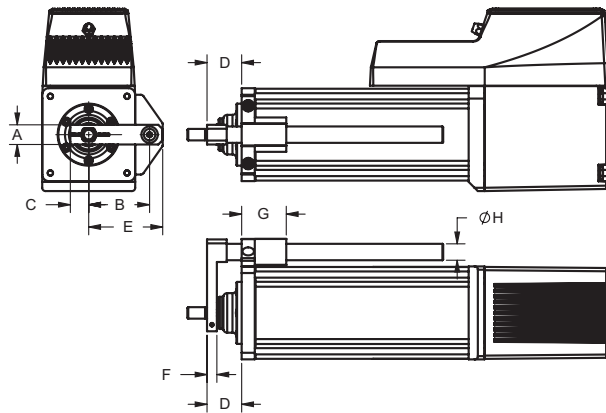
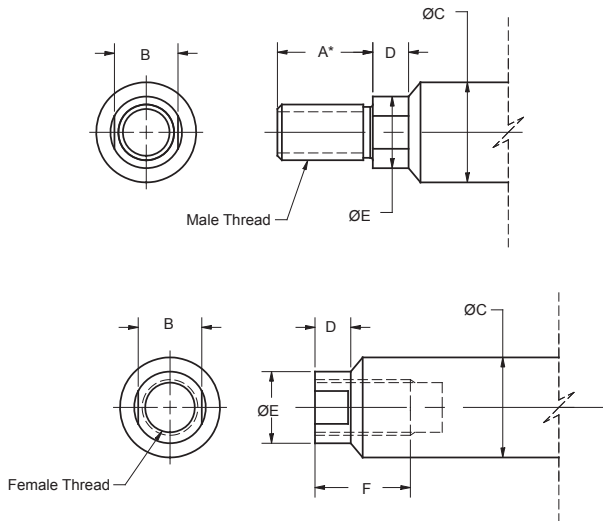


Anti-Rotate Option



DIM in (mm)	T2M/X075	T2M/X090	T2M/X115
A	0.82 (20.8)	0.75 (19.1)	1.13 (28.7)
B	2.20 (56.0)	2.32 (58.9)	3.06 (77.7)
C	0.60 (15.3)	0.70 (17.8)	1.00 (25.4)
D	1.32 (33.5)	1.32 (33.5)	1.65 (41.9)
E	2.70 (68.7)	2.82 (71.6)	3.63 (92.2)
F	0.39 (9.9)	0.38 (9.7)	0.50 (12.7)
G	1.70 (43.2)	1.70 (43.2)	1.97 (50.0)
ØH	0.63 (16.0)	0.63 (16.0)	0.75 (19.1)

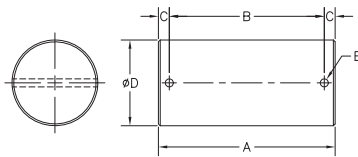
Actuator Rod End Option



DIM in (mm)	T2M/X075	T2M/X090	T2M/X115
A*	0.750 (19.1)*	1.250 (31.8)	1.500 (38.1)
B	0.500 (12.7)	0.625 (17.0)	0.750 (19.1)
ØC	0.625 (15.9)	0.787 (20.0)	1.000 (25.4)
D	0.281 (7.1)	0.281 (7.1)	0.381 (9.7)
ØE	0.562 (14.3)	0.725 (18.4)	0.875 (22.2)
F	0.750 (19.1)	1.000 (25.4)	1.000 (25.4)
Male-Inch "M", "W"	7/16-20 UNF-2A	1/2-20 UNF-2A	3/4-16 UNF-2A
Male-Metric "A", "R"	M12 x 1.75 6g	M16 x 1.5 6g	M16 x 1.5 6g
Female-Inch "F", "V"	7/16-20 UNF-2B	1/2-20 UNF-2B	5/8-18 UNF-2B
Female-Metric "B", "L"	M10 x 1.5 6h	M16 x 1.5 6h	M16 x 1.5 6h

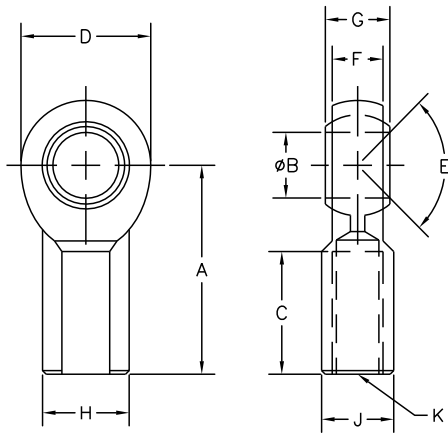
*When ordering the male M12x1.75 main rod for the T2M/X075 dimension "A" will be 1.57 in (40 mm)

Clevis Pin



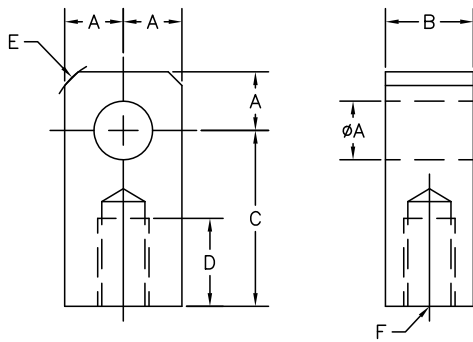
DIM	T2M/X075/T2M/X090	T2M/X075/T2M/X090	T2M/X115
in (mm)	CP050 Rod Eye, Rod Clevis	CP075 Rear Clevis	CP075 Rod Eye, Rod Clevis, Spherical Eye, Rear Clevis
A	2.28 (57.9)	3.09 (78.5)	3.09 (78.5)
B	1.94 (49.28)	2.72 (69.1)	2.72 (69.1)
C	0.17 (4.32)	0.19 (4.82)	1.19 (4.82)
ØD	0.50 -0.001/-0.002 (12.7 mm +0.00/-0.05)	0.75 -0.001/-0.002 (19.1 mm +0.00/-0.05)	0.75 -0.001/-0.002 (19.1 mm +0.00/-0.05)
ØE	0.106 (2.69)	0.14 (3.56)	0.14 (3.56)

Spherical Rod Eye



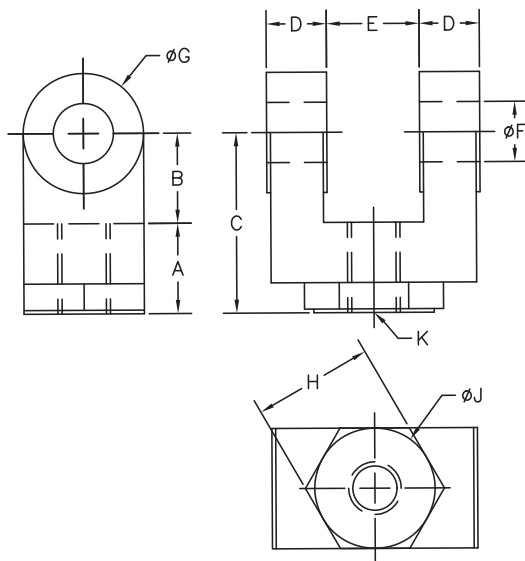
DIM in (mm)	T2M/X075	T2M/X090	T2M/X115
	SRM044	SRM050	SRM075
A	1.81 (46.0)	2.125 (54.0)	2.88 (73.2)
ϕB	0.438 (11.13)	0.500 (12.7)	0.75 (19.1)
C	1.06 (26.9)	1.156 (29.4)	1.72 (43.7)
D	1.13 (28.7)	1.312 (33.3)	1.75 (44.5)
E	14 Deg	6 Deg	14 Deg
F	0.44 (11.1)	0.500 (12.7)	0.69 (17.5)
G	0.56 (14.2)	0.625 (15.9)	0.88 (22.3)
H	0.75 (19.1)	0.875 (22.2)	1.13 (28.7)
J	0.63 (16.0)	0.750 (19.1)	1.00 (25.4)
K	7/16-20	1/2-20	3/4-16

Rod Eye



DIM in (mm)	T2M/X075	T2M/X090	T2M/X115
	RE050	REI050	RE075
ϕA	0.50 (12.7)	0.50 (12.7)	0.75 (19.05)
B	0.75 (19.1)	0.75 (19.05)	1.25 (31.8)
C	1.50 (38.1)	1.50 (38.1)	2.06 (52.3)
D	0.75 (19.1)	0.75 (19.05)	1.13 (28.7)
E	0.63 (15.9)	0.375 (9.53)	0.88 (22.2)
F	7/16-20	1/2-20	3/4-16

Rod Clevis



DIM in (mm)	T2M/X075	T2M/X090	T2M/X115
	RC050	RCI050	RC075
A	0.750 (19.05)	0.750 (19.05)	1.125 (28.58)
B	0.750 (19.05)	0.750 (19.05)	1.25 (31.75)
C	1.500 (38.1)	1.500 (38.1)	2.375 (60.3)
D	0.500 (12.7)	0.500 (12.7)	0.625 (15.88)
E	0.765 (19.43)	0.765 (19.43)	1.265 (32.12)
ϕF	0.500 (12.7)	0.500 (12.7)	0.75 (19.1)
ϕG	1.000 (25.4)	1.000 (25.4)	1.50 (38.1)
H	1.000 (25.4)	1.000 (25.4)	1.25 (31.75)
ϕJ	1.000 (25.4)	N/A	1.25 (31.75)
K	7/16-20	1/2-20	3/4-16

Pre-sale drawings and models are representative and are subject to change. Certified drawings and models are available for a fee. Consult your local Exlar representative for details.